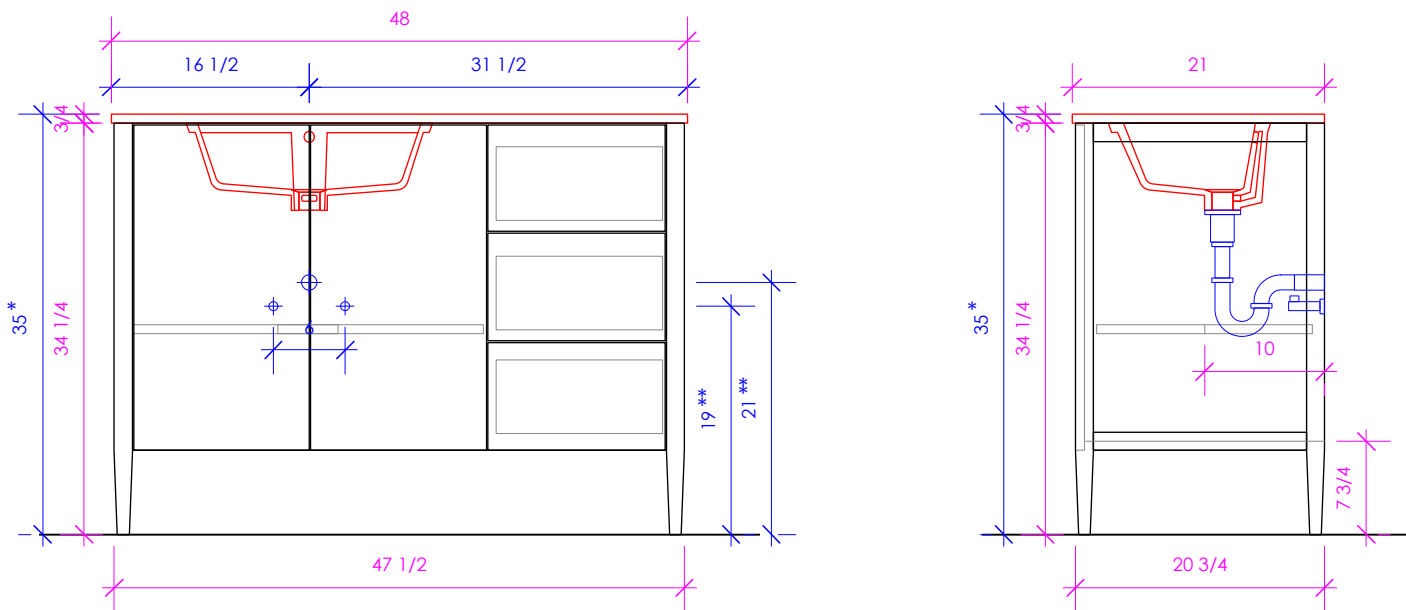


LACAVA

LUNAROSSA

LRS-F-48L



* Recommended installation height
 ** Recommended plumbing location

FEATURES:

- FLOOR STANDING VANITY
- TWO DOORS WITH SOFT-CLOSE HINGES
- ADJUSTABLE SHELF INSIDE
- THREE DRAWERS WITH SELF-CLOSE GLIDES
- DRAWER BOXES STAINED TO REFLECT EXTERIOR FINISH
- SOLID WOOD LEGS
- DECORATIVE HARDWARE **K550** INCLUDED BUT NOT INSTALLED - CAN BE INSTALLED UPON REQUEST
- USED WITH **LRS-48LT** COUNTERTOP AND **5062UN** SINK (SOLD SEPARATELY)
- MOUNTING: WOOD SPANS ACROSS THE BACK (SEE FURNITURE MANUAL)
- PROUDLY HANDMADE IN THE USA
- MANUFACTURED WITH LOW VOC FINISHES AND WOOD FROM RENEWABLE FORESTS

FINISHES:

WOOD:

STANDARD:

02 - NATURAL CHERRY
 07 - NATURAL WALNUT
 24 - CLASSIC WALNUT
 20 - ASH GRAY
 06 - WENGE
 33 - AFRICAN MAHOAGANY

PREMIUM:

22 - GRAY ZEBRA
 31 - WHITE OAK
 27 - RUSTIC
 47 - SMOKY WALNUT

LUXURY:

37 - WEATHERED OAK
 52 - SILVER OAK
 50 - HORIZON BLUE

46 - DRIFTWOOD
 (NEWJERSEY ONLY)

85 - GLOSS WHITE
 88 - GLOSS ARDESIA
 84 - GLOSS TAUPE
 86 - GLOSS BLACK
 82 - GLOSS OLIVE GREEN

08T1 - WHITE W/ TEXTURE
 35T1 - ARDESIA W/ TEXTURE
 54T1 - TAUPE W/ TEXTURE
 16T1 - BLACK W/ TEXTURE
 42T1 - OLIVE GREEN W/TEXTURE

08 - MATTE WHITE
 35 - MATTE ARDESIA
 54 - MATTE TAUPE
 16 - MATTE BLACK
 42 - MATTE OLIVE GREEN
 39 - MATTE SAGE
 28 - MATTE AZURE
 29 - MATTE CLOUD
 40 - MATTE ZEST

COUNTERTOP: **LRS-48LT**

STONE:

WH - BIANCO
 LN - LINAC
 SL - ATHENS

QUARTZ:

PR - PURO
 AH - ASH

SOLID SURFACE:

M - SATIN WHITE
 G - POLISHED WHITE
 R - MARMO
 V - LAVA
 D - OBSIDIAN

CONCRETE:

SND - SAND
 SLT - SLATE
 TER - TERRACOTTA
 CHL - CHARCOAL

METALS:

METAL:

21 - BRUSHED STAINLESS STEEL
 10 - POLISHED STAINLESS STEEL
 44 - MATTE BLACK
 MW - MATTE WHITE
 BPW - BRASS POWDER COAT

LACAVA reserves the right to revise any dimension or information on this sheet without notice. Dimensions are nominal and may vary within an industry accepted tolerance of 1/4". Cabinets with 'vanity top' sinks are made to the matching sink and dimensions may vary. LACAVA is not responsible for any cutouts, countertops, or furniture made without the actual product or template. Differences in color, grain, appearance, and texture are inherent in all natural woodwork and should be expected. Variances in these qualities are not deemed manufacturing defects and will not be accepted as valid reasons for return or exchanges. Plumbing specifications are only a guideline and may need alteration based on application.

6630 WEST WRIGHTWOOD
 CHICAGO, IL 60707

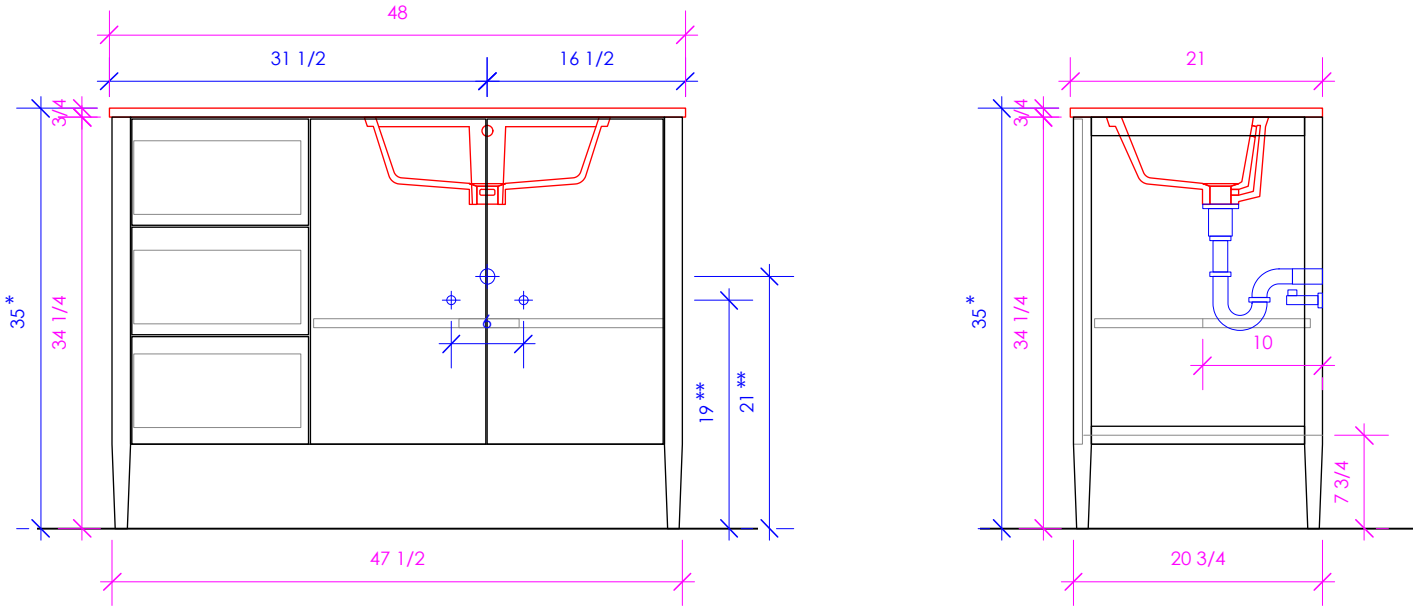
PH: 773-637-9600
 FAX: 773-637-9601

LACAVA.COM
 INFO@LACAVA.COM

LACAVA

LUNAROSSA

LRS-F-48R



* Recommended installation height
** Recommended plumbing location

FEATURES:

- FLOOR STANDING VANITY
- TWO DOORS WITH SOFT-CLOSE HINGES
- ADJUSTABLE SHELF INSIDE
- THREE DRAWERS WITH SELF-CLOSE GLIDES
- DRAWER BOXES STAINED TO REFLECT EXTERIOR FINISH
- SOLID WOOD LEGS
- DECORATIVE HARDWARE **K550** INCLUDED BUT NOT INSTALLED - CAN BE INSTALLED UPON REQUEST
- USED WITH **LRS-48RT** COUNTERTOP AND **5062UN** SINK (SOLD SEPARATELY)
- MOUNTING: WOOD SPANS ACROSS THE BACK (SEE FURNITURE MANUAL)
- PROUDLY HANDMADE IN THE USA
- MANUFACTURED WITH LOW VOC FINISHES AND WOOD FROM RENEWABLE FORESTS

FINISHES:

WOOD:

STANDARD:

02 - NATURAL CHERRY
07 - NATURAL WALNUT
24 - CLASSIC WALNUT
20 - ASH GRAY
06 - WENGE
33 - AFRICAN MAHOGANY

PREMIUM:

22 - GRAY ZEBRA
31 - WHITE OAK
27 - RUSTIC
47 - SMOKY WALNUT

LUXURY:

37 - WEATHERED OAK
52 - SILVER OAK
50 - HORIZON BLUE

46 - DRIFTWOOD
NEW TERRA ONLY

08 - MATTE WHITE
35 - MATTE ARDESIA
54 - MATTE TAUPE
16 - MATTE BLACK
42 - MATTE OLIVE GREEN
39 - MATTE SAGE
28 - MATTE AZURE
29 - MATTE CLOUD
40 - MATTE ZEST

85 - GLOSS WHITE
88 - GLOSS ARDESIA
84 - GLOSS TAUPE
86 - GLOSS BLACK
82 - GLOSS OLIVE GREEN

08T1 - WHITE W/ TEXTURE
35T1 - ARDESIA W/ TEXTURE
54T1 - TAUPE W/ TEXTURE
16T1 - BLACK W/ TEXTURE
42T1 - OLIVE GREEN W/TEXTURE

COUNTERTOP: **LRS-48RT**

STONE:

WH - BIANCO
LN - LINAC
SL - ATHENS

QUARTZ:

PR - PURO
AH - ASH

SOLID SURFACE:

M - SATIN WHITE
G - POLISHED WHITE
R - MARMO
V - LAVA
D - OBSIDIAN

CONCRETE:

SND - SAND
SLT - SLATE
TER - TERRACOTTA
CHL - CHARCOAL

METALS:

METAL:

21 - BRUSHED STAINLESS STEEL
10 - POLISHED STAINLESS STEEL
44 - MATTE BLACK
MW - MATTE WHITE
BPW - BRASS POWDER COAT

LACAVA reserves the right to revise any dimension or information on this sheet without notice. Dimensions are nominal and may vary within an industry accepted tolerance of 1/4". Cabinets with 'vanity top' sinks are made to the matching sink and dimensions may vary. LACAVA is not responsible for any cutouts, countertops, or furniture made without the actual product or template. Differences in color, grain, appearance, and texture are inherent in all natural woodwork and should be expected. Variances in these qualities are not deemed manufacturing defects and will not be accepted as valid reasons for return or exchanges. Plumbing specifications are only a guideline and may need alteration based on application.

6630 WEST WRIGHTWOOD
CHICAGO, IL 60707

PH: 773-637-9600
FAX: 773-637-9601

LACAVA.COM
INFO@LACAVA.COM