

## Specifications:

<b>Installation:</b>	Undercounter
<b>Interior Dimensions:</b>	33" w x 12 1/2" d x 4 1/4" h
<b>Exterior Dimensions:</b>	35 1/2" w x 15" d x 5 3/4" h
<b>Material:</b>	Solid surface
<b>Weight:</b>	Matte white - 28 lbs Gloss white - 32 lbs
<b>Overflow:</b>	Yes
<b>Finishes:</b>	M - Matte white G - Gloss white MB - Matte Black
<b>Faucet Holes:</b>	N/A
<b>Cut-out Size:</b>	32 1/2" x 12" (template available upon request)
<b>Drain Hole Size:</b>	Ø 1 3/4"



## Features:

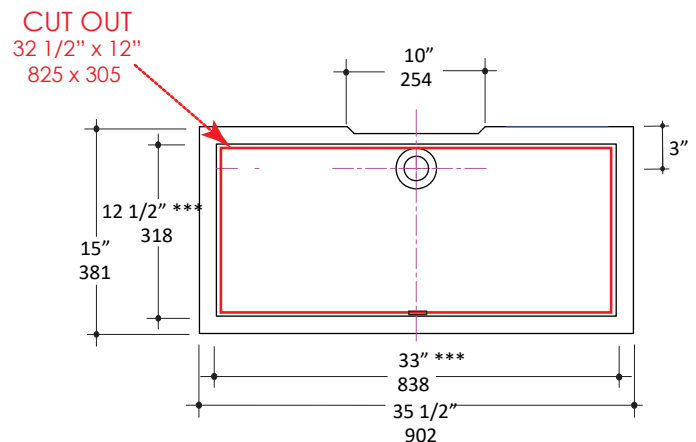
- Solid surface sink with overflow
- Material is stain, scratch, chemical, and impact resistant
- Most standard American drains can also be used
- Current cut-out template can be requested
- Single glazed

## Codes + Standards:

- Meets and exceeds applicable national codes and standards

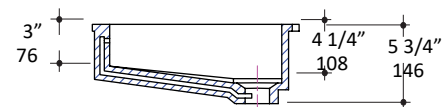


compliant when installed to specific requirements of this regulation



## Recommended Items:

- European drain with overflow
  - 7100-16OF
  - 7100-13OF



## Care + Maintenance:

- To prevent damage to the solid surface material, hot objects and open flame should not be placed in direct contact with the surface

[Click Here](#) to find out more about proper care and maintenance