

Specifications:

Installation:	Above-counter or wall-mount
Exterior Dimensions:	40" w x 15" d x 6 1/4" h
Material:	Solid surface
Weight:	66 lbs
Overflow:	Yes
Finishes:	M - Matte white G - Gloss white
Faucet Holes:	00 - no hole 01 - one centered hole 02 - two hole - center and right, 4" spread 03 - three hole, 8" spread
Cut-out Size:	10" x 8" (template available upon request)
Faucet Hole Size:	Ø 1 3/8"
Drain Hole Size:	Ø 1 3/4"



Please specify application/installation of the sink.

Features :

- Solid surface sink with an overflow
- Finished back
- Unfinished bottom
- Above-counter or wall-mount installation
- Wall-mounting bolts are included
- Requires brackets #8443V (sold separately) for

wall-mount application

Codes + Standards

- Meets and exceeds applicable national codes and standards

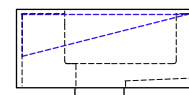
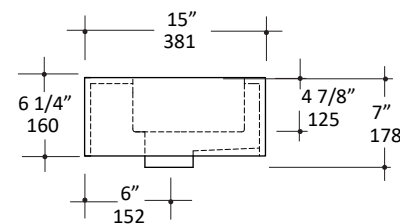
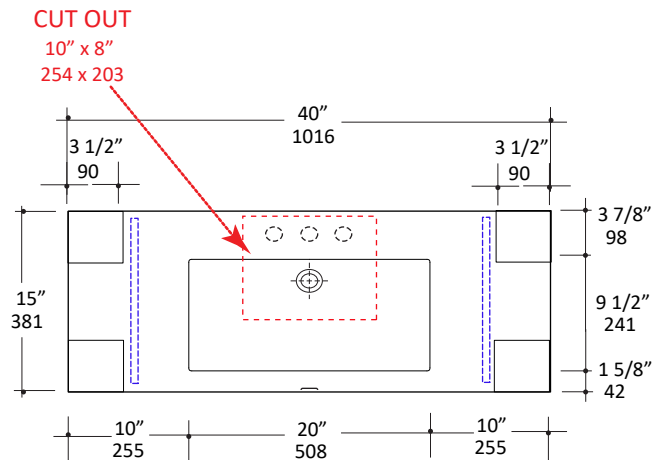
Recommended Items:

- European drain with overflow
 - 7100-18OF
 - 7100-17
 - 8443V-L/R V-brackets (L-left, R-right)

Care + Maintenance:

- To prevent damage to the solid surface material, hot objects and open flame should not be placed in direct contact with the surface

[Click Here](#) to find out more about proper care and maintenance



BRACKETS FOR WALL-MOUNT INSTALLATION

LACAVA reserves the right to revise any dimension or information on this sheet without notice. Dimensions are nominal and may vary within an industry accepted tolerance of 1/4".

Drawings provided herein are meant to give the user an idea of the product and are not made to scale. Revised: 12/12/2023