

Features:

- Wall-mount towel shelf with built-in towel bar
- Includes mounting hardware
- Stainless steel construction

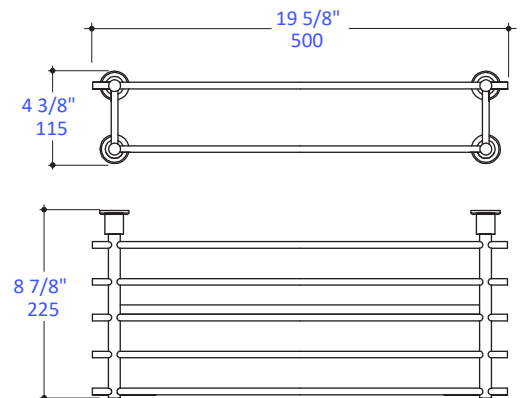
Finish Options:

- 10 - Polished Stainless Steel
- 21 - Brushed Stainless Steel
- 44 - Matte Black



Codes + Standards:

- Meets and exceeds applicable national codes and standards



LACAVA reserves the right to revise any dimension or information on this sheet without notice. Dimensions are nominal and may vary within an industry accepted tolerance of 1/4". Drawings provided herein are meant to give the user an idea of the product and are not made to scale. Location of plumbing is meant for reference, your specific application may vary.

Revised: 07/02/2020