

Features:

- Tilting round rain shower head
- Brass construction with 140 outlet holes
- Ceiling-mount or wall-mount installation
- Arm and flange sold separately
- Weight: 2.5 lbs.
- Flow rate 8.5 GPM at 43.5 psi

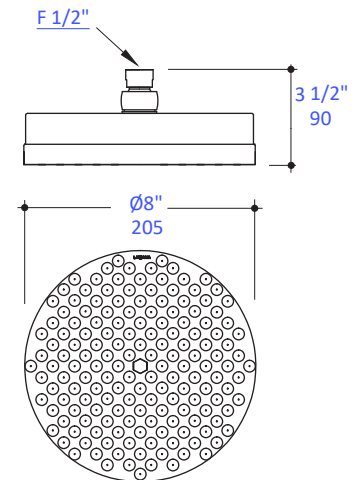
Finish Options:

- CR - Polished Chrome



Codes + Standards:

- Meets and exceeds applicable national codes



Recommended Accessories:

- Item #380H2: Wall-mount round shower arm with flange
- Item #0169: Ceiling-mount round shower arm with flange
- Item #15PB1.L.R: Built-in pressure balancing mixer with lever handle and round backplate

LACAVA reserves the right to revise any dimension or information on this sheet without notice. Dimensions are nominal and may vary within an industry accepted tolerance of 1/4". Drawings provided herein are meant to give the user an idea of the product and are not made to scale. Location of plumbing is meant for reference, your specific application may vary.
Revised: 6/26/2020