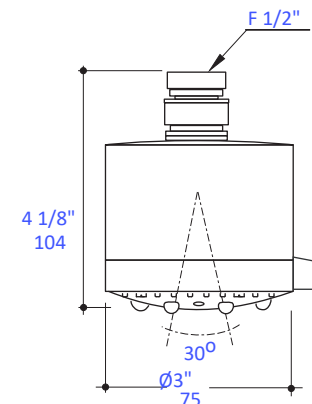


### Features:

- Tilting round shower head with five function variable spray
- Wall-mount installation recommended
- Arm and flange sold separately
- Includes flow reducer 2.5 GPM
- 

### Finish Options:

- CR-Polished Chrome



### Codes + Standards:

- Meets and exceeds applicable national codes and standards

### Recommended Accessories:

- Item # 380H2: Wall-mount round shower arm with flange curving 90 degrees (shown)
- Item #400A: Wall-mount round shower arm with flange curving under 45 degree angle
- Item #12340.1: Built-in single-lever pressure balancing mixer with round escutcheon and knob handle
- Item #12340L: Built-in single-lever pressure balancing mixer with round escutcheon and lever handle

LACAVA reserves the right to revise any dimension or information on this sheet without notice. Dimensions are nominal and may vary within an industry accepted tolerance of 1/4". Drawings provided herein are meant to give the user an idea of the product and are not made to scale. Location of plumbing is meant for reference, your specific application may vary.

Revised: 6/18/2020