

TRE Faucet Item #2803

Features:

- Three-hole deck-mounted lavatory faucet
- Square-neck spout and two lever handles
- Brass construction with hot/cold ceramic cartridges
- Includes flexible supply lines and pop-up drain with tailpiece
- Flow rate: 1 GPM pressure compensating aerator
- Meets and exceeds the following standards/codes:
 - ASME A112.18.1-2011/CSA B125.1-11
 - Section 1417(d) of the Safe Drinking Water Act
 - NSF/ANSI 61-2011
 - CMR 248(Mass. Code of Approval)
- Weight: 9lbs.



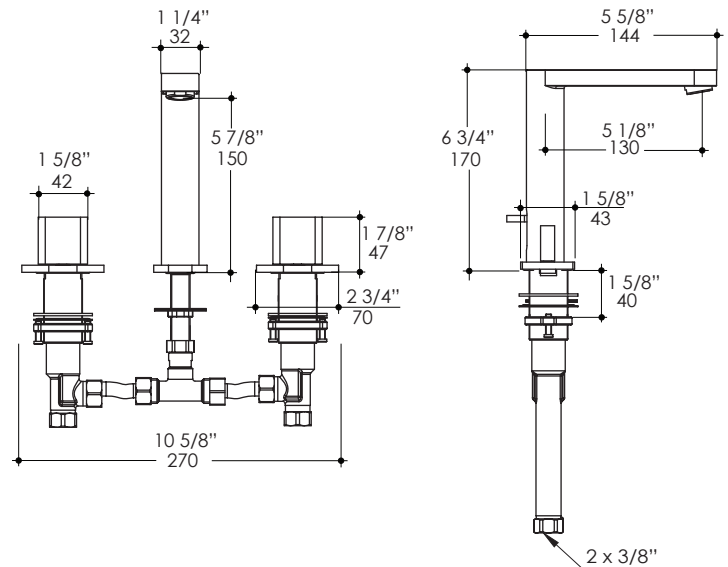
Finish Options:

CR - Polished Chrome

Parts:

- R025-26 - Replacement ceramic cartridge pair
- 2803-AERATOR - Replacement aerator cartridge

Product Specifications:



Notes:

Drawings provided herein are meant to give the user an idea of the product and are not made to scale. The size in inches is rounded up to the nearest 1/16".
 Plumbing specifications are only a guideline and may need to be altered based on the application.
 Product specifications are not binding to the manufacturer and can be changed without notice at any time. Please refer to your shipment for product final sizes.

LACAVA is committed to the highest level of customer service. Please feel free to contact us at 1-888-522-2823 (toll free) or by email at info@lacava.com for technical assistance or any general inquiries.

Rev. 02-16-2015