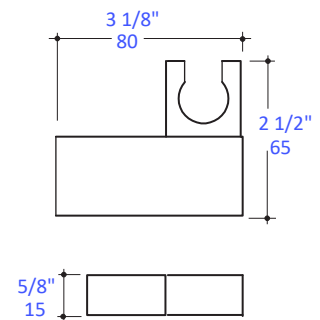


Features:

- Tilting hook for hand-held shower head
- Brass construction
- Shower head and intake sold separately
- Weight: 0.5 lbs.

Finish Options:

- CR - Polished Chrome
- NI - Brushed Nickel
- PN - Polished Nickel
- BG - Brushed Gold
- 44 - Matte Black



Recommend Accessories:

- Item #W1460: Hand-held shower head with 59" flexible hose
- Item #1473: Water intake with rectangular backplate

LACAVA reserves the right to revise any dimension or information on this sheet without notice. Dimensions are nominal and may vary within an industry accepted tolerance of 1/4". Drawings provided herein are meant to give the user an idea of the product and are not made to scale. Location of plumbing is meant for reference, your specific application may vary.

Revised: 6/19/2020