

ELEGANZA Thermostatic Valve Item #1845

Features:

- Built-in thermostatic valve with knob handle and backplate
- Brass construction with thermostatic cartridge
- Includes rough-in and trim
- Mixing valve cycles from cold to hot water
- Anti-scald protection & temperature regulation for flow rates as low as 2.4 GPM
- 3/4" Female NPT inlets & outlet
- 1845L can be installed to meet ADA compliance

Recommended Accessories:

- Item #1860: Built-in stop valve with knob handle and square escutcheon



Finish Options:

CR - Polished Chrome

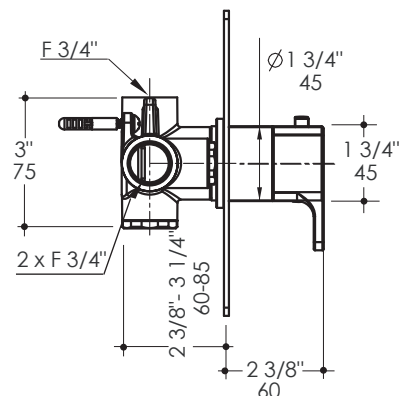
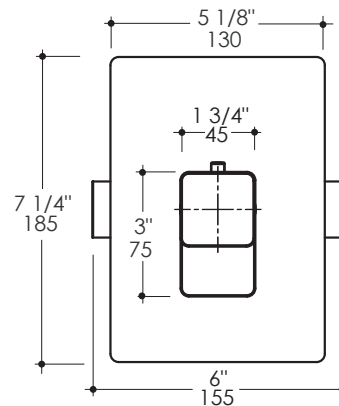
Handle Options:

1845 - knob handle
1845L - lever handle

Parts:

R039 - Replacement ceramic cartridge

Product Specifications:



Notes:

Drawings provided herein are meant to give the user an idea of the product and are not made to scale. The size in inches is rounded up to the nearest 1/16".
Plumbing specifications are only a guideline and may need to be altered based on the application.
Product specifications are not binding to the manufacturer and can be changed without notice at any time. Please refer to your shipment for product final sizes.

LACAVA is committed to the highest level of customer service. Please feel free to contact us at 1-888-522-2823 (toll free) or by email at info@lacava.com for technical assistance or any general inquiries.

Rev. 11-26-2013