

LACAVA



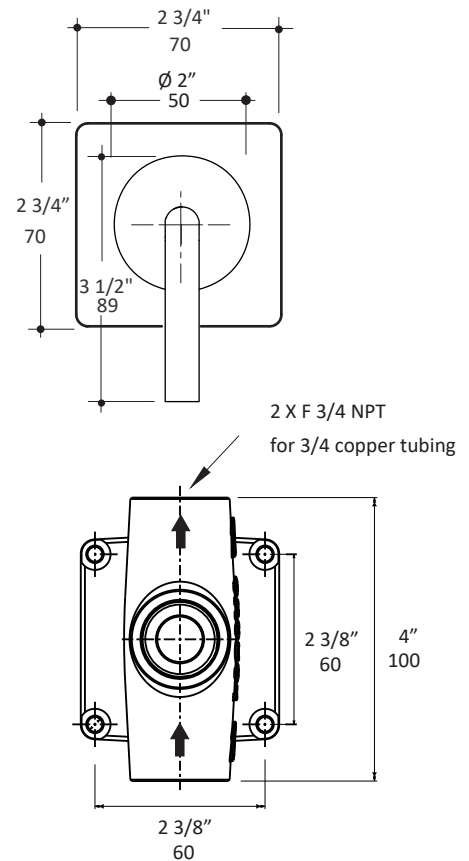
CIGNO built-in stop valve 15ST.C.S-CC/CL

Specifications:

Installation:	built-in wall mount	
Exterior Dimensions:	W: 2 3/4" H: 2 3/4"	
Material:	solid brass construction ceramic cartridge	
Water use:	12 GPM (43.5 PSI)	
Finishes:	PS - polished brass	PN - polished nickel
	51 - brushed brass	CR - polished chrome
	BG - brushed gold	BK - black chrome
	PB - polished bronze	GM - gun metal
	NI - brushed nickel	TN - titanium
	BB - brushed bronze	44 - matte black
Fittings included:	Rough-in # VST-CL or VST-CC and trim # 15ST.C.S-A	

Features:

- stop valve
- square backplate
- lever handle
- opens counterclockwise 15ST.C.S-CC (standard)
- opens clockwise 15ST.C.S-CL
- volume valve with 900 rotating angle
- 3/4" NPT water IN and OUT connections
- 1" extension kit available



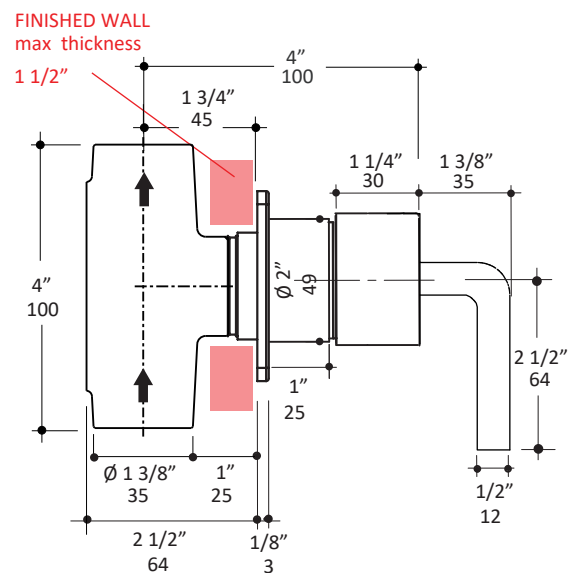
Codes + Standards:

- Meets and exceeds applicable national codes and standards
- CAL-Green compliant

ADA compliant when installed to specific requirements of this regulation

Recommended Items:

- Replacement parts:
 - VST-CC/CL rough-in
 - 15ST.C.S-A trim
 - VST-C ceramic cartridge
 - VST-EX 1" extension kit



LACAVA reserves the right to revise any dimension or information on this sheet without notice. Dimensions are nominal and may vary within an industry accepted tolerance of 1/4". Drawings provided herein are meant to give the user an idea of the product and are not made to scale. Location of plumbing is meant for reference, your specific application may vary.
Revised: 4/28/2026