

# LACAVA®

## CIGNO Tub Filler Item #1575

### Features:

- Floor-standing single-hole tub filler with two cross handles
- Includes two-way diverter and hand-held shower head with 59" flexible hose
- Brass construction with hot/cold ceramic disc cartridges
- Includes rough-in and trim
- Flow rate: 8.5 GPM at 60 PSI
- Meets and exceeds the following standards/codes:
  - ASME A112.18.1-2012/CSA B125.1-12
  - CMR 248 (Mass. Code of Approval)
- Freight class 2 based on the Lacava Freight Program

### Finish Options:

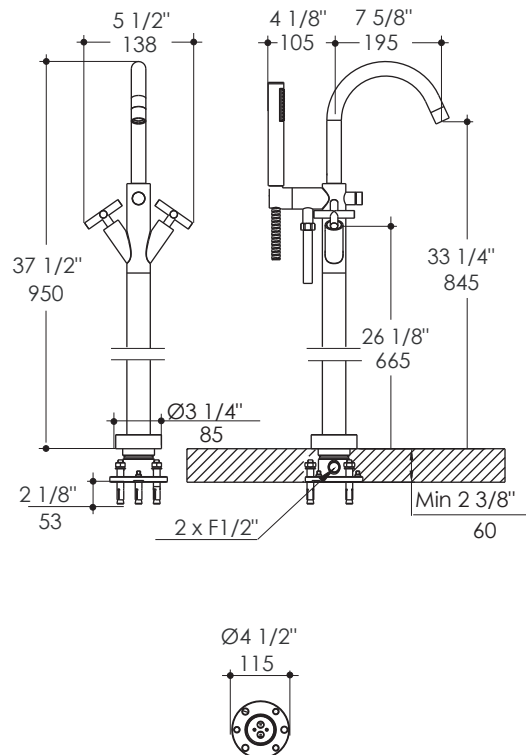
CR - Polished Chrome

### Parts:

- R027-28 - Replacement ceramic cartridge
- 1560 - Hand-held shower head
- A00045 - 59" flexible shower hose
- 1595-AERATOR - Replacement aerator cartridge



### Product Specifications:



### Notes:

Drawings provided herein are meant to give the user an idea of the product and are not made to scale. The size in inches is rounded up to the nearest 1/16".

LACAVA is committed to the highest level of customer service. Please feel free to contact us at 1-888-522-2823 (toll free) or by email at [info@lacava.com](mailto:info@lacava.com) for technical assistance or any general inquiries.

Rev. 02-03-2017