

Cigno Thermostatic Valve Item #1545

Features:

- Built-in thermostatic valve with cross handle and round backplate
- Brass construction with thermostatic cartridge
- Includes rough-in and trim
- Mixing valve cycles from cold to hot water
- Anti-scald protection & temperature regulation for flow rates as low as 2.4 GPM
- 3/4" Female NPT inlets & outlet
- Flow rate: 15 GPM at 43.5 PSI
- It can be installed to meet ADA compliance

Recommended Accessories:

- Item #1510: Built-in stop valve with cross handle and round escutcheon



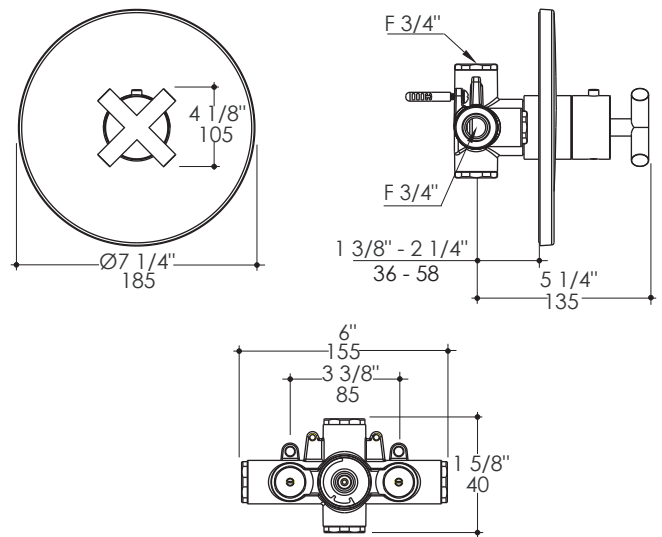
Finish Options:

- CR - Polished Chrome
- PN - Polished Nickel
- NI - Brushed Nickel
- BG - Brushed Gold
- 44 - Matte Black

Parts:

- R039 - Replacement ceramic cartridge
- R1545EX - 1 3/16" extension kit

Product Specifications:



Notes:

Drawings provided herein are meant to give the user an idea of the product and are not made to scale. The size in inches is rounded up to the nearest 1/16".

LACAVA is committed to the highest level of customer service. Please feel free to contact us at 1-888-522-2823 (toll free) or by email at info@lacava.com for technical assistance or any general inquiries.

Rev. 05-17-2017