

## Arch Volume Control Item #1260 (.5/.75)

### Features:

- Built-in stop valve with lever handle and round escutcheon
- Brass construction with single ceramic cartridge
- Includes rough-in and trim
- Flow rate: 12 GPM at 43.5 PSI
- It can be installed to meet ADA compliance

### Recommended Accessories:

- Item #1245: Built in thermostatic valve with lever handle and round backplate



### Finish Options:

- CR - Polished Chrome
- NI - Brushed Nickel

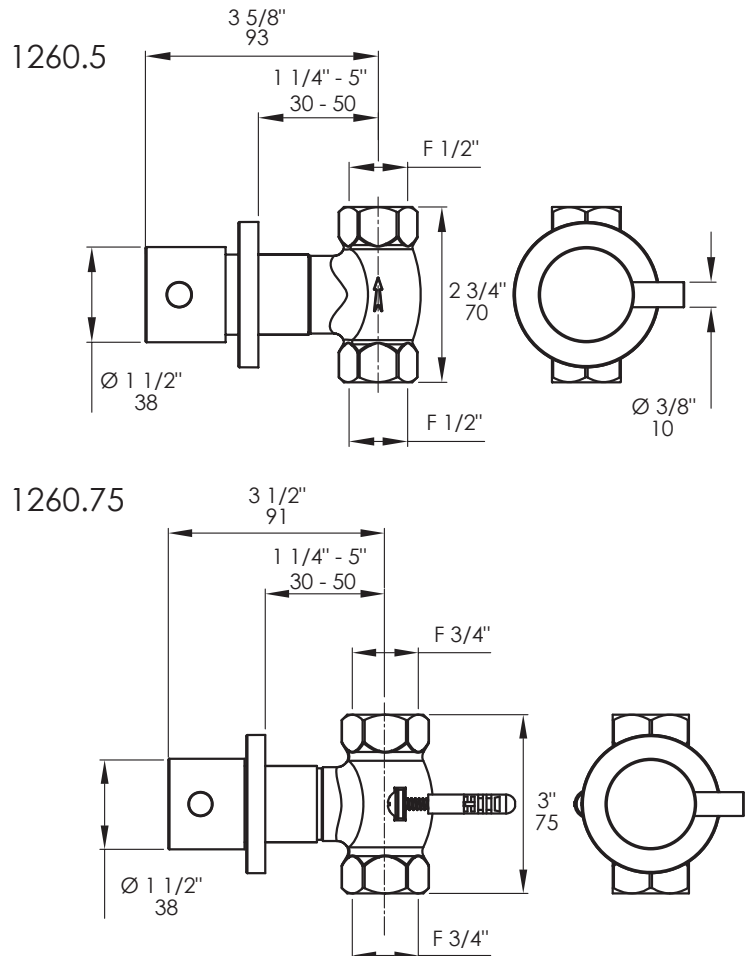
### Valve Options:

- 1260.5 - 1/2" F NPT inlet and outlet
- 1260.75 - 3/4" F NPT inlet and outlet

### Parts:

- R1260 - Replacement ceramic cartridge (specify 1/2" or 3/4")
- R1260EX - 1" extension kit for 1260

### Product Specifications:



#### Notes:

Drawings provided herein are meant to give the user an idea of the product and are not made to scale. The size in inches is rounded up to the nearest 1/16".  
 Plumbing specifications are only a guideline and may need to be altered based on the application.  
 Product specifications are not binding to the manufacturer and can be changed without notice at any time. Please refer to your shipment for product final sizes.

LACAVA is committed to the highest level of customer service. Please feel free to contact us at 1-888-522-2823 (toll free) or by email at info@lacava.com for technical assistance or any general inquiries.

Rev. 5-12-2017