

Features:

- Tilting round rain shower head
- Brass construction with 95 rubber nozzles
- Ceiling-mount or wall-mount installation
- Arm and flange sold separately
- 1.75 GPM flow regulator with back flow prevention included for California - flow rate: 1.3 GPM at recommended 43.5 psi
- Flow rate 8.5 GPM at 43.5 psi without 1.75 GPM flow regulator
- Weight: 2.5 lbs

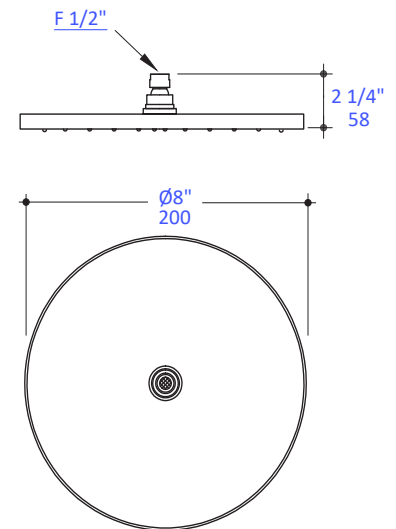
Finish Options:

- CR - Polished Chrome



Codes + Standards:

- Meets and exceeds applicable national codes
- Meets Cal-green requirement
- Complies with CEC standard



Recommended Accessories:

- Item #0171: Wall-mount round shower arm with flange
- Item #0169: Ceiling-mount round shower arm with flange
- Item #15PB1.L.R: Built-in single-lever mixer with lever handle and escutcheon

LACAVA reserves the right to revise any dimension or information on this sheet without notice. Dimensions are nominal and may vary within an industry accepted tolerance of 1/4". Drawings provided herein are meant to give the user an idea of the product and are not made to scale. Location of plumbing is meant for reference, your specific application may vary.

Revised: 6/30/2020