

Features:

- Tilting round rain shower head
- Brass construction with 60 rubber nozzles
- Wall-mount installation recommended
- Arm and flange sold separately
- 1.75 GPM flow regulator with back flow prevention included for California - flow rate: 1.3 GPM at recommended 43.5 psi
- Flow rate 8.5 GPM at 43.5 psi without 1.75 GPM flow regulator

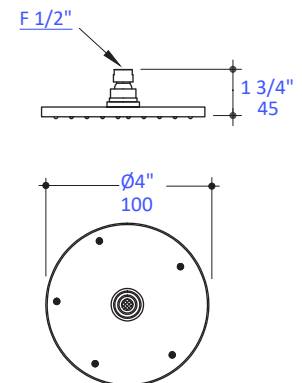
Finish Options:

- CR - Polished Chrome



Codes + Standards:

- Meets and exceeds applicable national codes
- Meets Cal-green requirement
- Complies with CEC standard



Recommended Accessories:

- Item #400A: Wall-mount round shower arm with flange
- Item #15PB1.L.R: Built-in single-lever mixer with lever handle and escutcheon