

Waterblade Spout Item #W1065

Features:

- Wall-mounted L-shaped waterfall spout
- Can be used as tub filler or as waterfall showerhead
- Stainless steel construction
- Mixer sold separately
- Water flow 4 GPM at 43.5 PSI, Max 6 GPM at 72.5 PSI

Recommended Accessories:

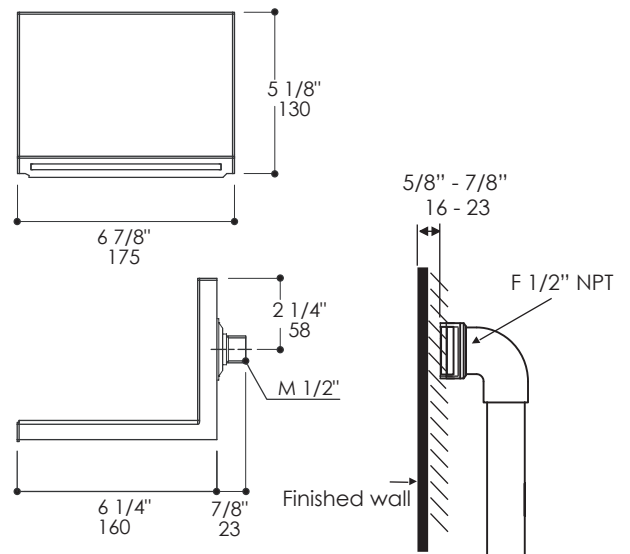
- Item #W1047: Built-in thermostatic valve with volume (one outlet, no diverter)
- Item #W1044: Built-in thermostatic valve with OFF and 2-way diverter
- Item #W1048: Built-in thermostatic valve with volume and 3-way diverter



Finish Options:

- 10 - Polished Stainless Steel
- 21 - Brushed Stainless Steel

Product Specifications:



Notes:

Drawings provided herein are meant to give the user an idea of the product and are not made to scale. The size in inches is rounded up to the nearest $1/16$ ".

LACAVA is committed to the highest level of customer service. Please feel free to contact us at 1-888-522-2823 (toll free) or by email at info@lacava.com for technical assistance or any general inquiries.

Rev. 12-20-2017