

## Stone Medicine Cabinet Item #ST010\_ST011

### Features:

- Wall-mount medicine cabinet with mirrored door routed for finger pull
- Three adjustable glass shelves
- Concealed European hinges and wooden mounting cleat
- Cabinet can be reversed to open on left or right
- Shelf unit #ST011 sold separately
- Customizable (please request a quote)
- Handmade in USA
- Manufactured with low VOC finishes and wood from renewable forests

### Recommended Accessories:

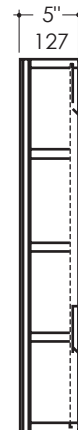
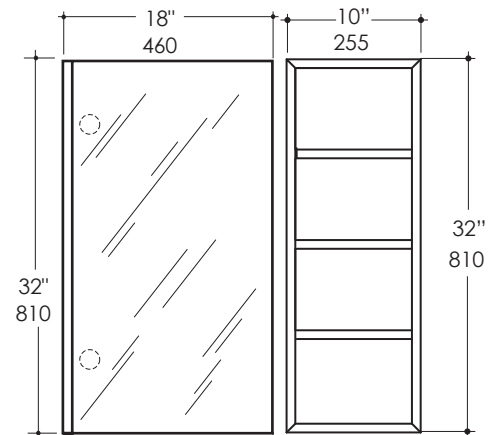
- Item #ST011: Wall-mounted cubby with three adjustable shelves



### Finish Options:

- 01 - Natural Maple
- 02 - Natural Cherry
- 03 - Mahogany
- 06 - Wenge
- 07 - Natural Walnut
- 08 - White
- 15 - Natural Zebra
- 16 - Black
- 17 - Caramel Bamboo
- 18 - Ebony Macassar
- 20 - Ash Gray
- 22 - Gray Zebra
- 23 - Gray Ebony Macassar
- 24 - Classic Walnut
- 25 - Honey Oak
- 26 - Chocolate Bamboo

### Product Specifications:



### Notes:

Drawings provided herein are meant to give the user an idea of the product and are not made to scale. The size in inches is rounded up to the nearest 1/16". Slight variances can often occur with porcelain and woodwork. Therefore, LACAVA will not be held responsible for any cutouts, countertops, or furniture made without the actual product or template from LACAVA. Differences in color, grain, appearance and texture are inherent in all natural woodwork, and should be expected. Variances in these qualities are not deemed manufacturing defects, and will not be accepted as valid reasons to return or exchange any LACAVA woodwork. Plumbing specifications are only a guideline and may need to be altered based on the application.

LACAVA is committed to the highest level of customer service. Please feel free to contact us at 1-888-522-2827 (toll free) or by email at [info@lacava.com](mailto:info@lacava.com) for technical assistance or any general inquiries.