

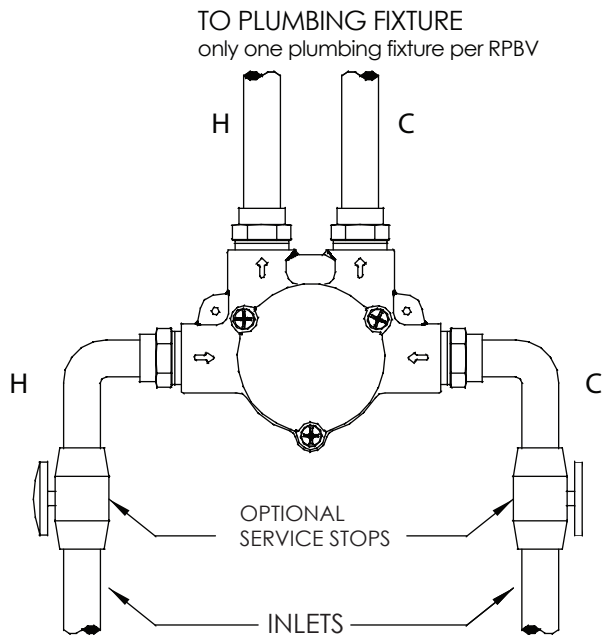
Remote Pressure Balancing Valve Item #RPBV

Features:

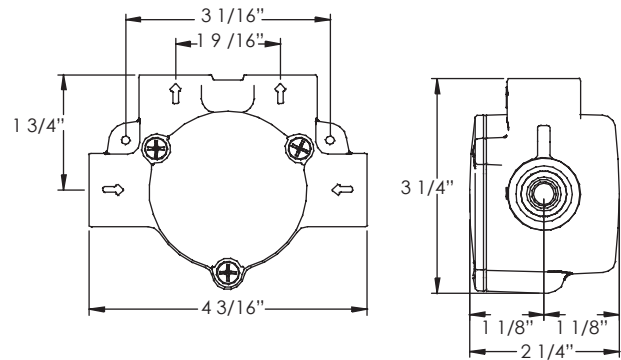
- Min. operating pressure: 20 psi [140 KPa]
- Max. operating pressure: 125 psi [860 KPa]
- Max. test pressure: 500 psi [3450 KPa]
- Max. hot water temperature: 180° F / 80°C
- Hot and cold inlets / outlets: ½" female NPT
- Complies with the following standards/codes:
 - IAPMO
 - ISO9001-2008
 - ASSE 1016
 - ASME A112.18.1-2005/CSA B125.1-05
 - CMR 248 (Mass. Code of Approval)



Installation Diagram:



Product Specifications:



Notes:

Drawings provided herein are meant to give the user an idea of the product and are not made to scale. The size in inches is rounded up to the nearest 1/16". Slight variances can often occur with porcelain and woodwork. Therefore, LACAVA will not be held responsible for any cutouts, countertops, or furniture made without the actual product or template from LACAVA. Plumbing specifications are only a guideline and may need to be altered based on the application.

LACAVA is committed to the highest level of customer service. Please feel free to contact us at 1-888-522-2827 (toll free) or by email at info@lacava.com for technical assistance or any general inquiries.