

Suave Lavatory Item #6072

Features:

- Porcelain lavatory without overflow
- Self-rimming installation
- Requires oversized European drain (i.e. item #7100-13)
- Template for cut-out is available upon request
- Can be installed to meet ADA compliance

Recommended Accessories:

- Item #6051T: Wall-mounted wooden countertop with stainless steel v-brackets
- Item #6052B1: Free-standing wooden bench vanity
- Item #6052B2: Free-standing wooden bench vanity with one large drawer
- Item #6052B3: Free-standing wooden bench vanity with one shelf



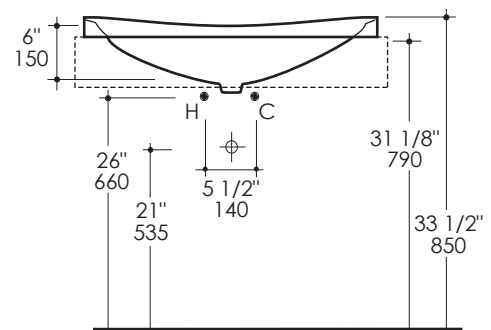
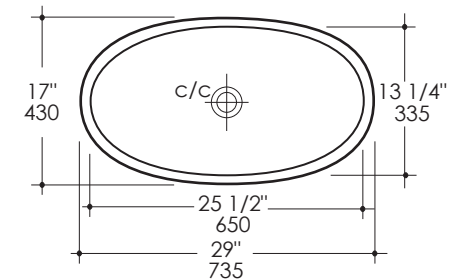
Finish Options:

001 - White

Faucet Hole Options:

-None

Product Specifications:



Notes:

Drawings provided herein are meant to give the user an idea of the product and are not made to scale. The size in inches is rounded up to the nearest 1/16". Slight variances can often occur with porcelain and woodwork. Therefore, LACAVA will not be held responsible for any cutouts, countertops, or furniture made without the actual product or template from LACAVA.

Plumbing specifications are only a guideline and may need to be altered based on the application.

Product specifications are not binding to the manufacturer and can be changed without notice at any time. Please refer to your shipment for product final sizes.

LACAVA is committed to the highest level of customer service. Please feel free to contact us at 1-888-522-2823 (toll free) or by email at info@lacava.com for technical assistance or any general inquiries.

Rev. 6-6-2014