

## Aquagrande Lavatory Item #5051UN

### Features:

- Porcelain lavatory with overflow
- Under-counter installation
- Requires oversized European drain (i.e. item #7100-16OF or 7100-12)
- Suggested cutout dimensions: 32 1/2"W, 9 1/2"D
- Template for cutout is available upon request
- ADA compliant



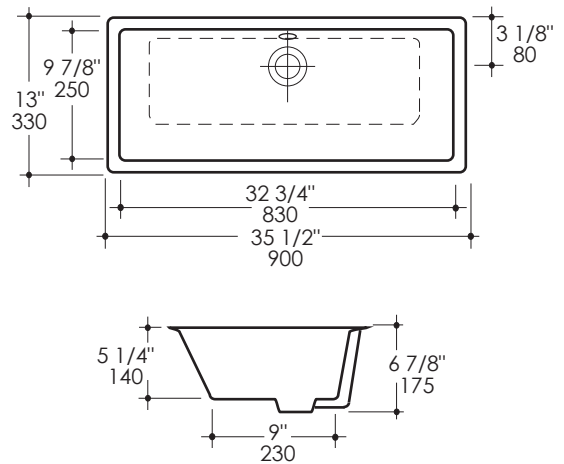
### Finish Options:

001 - White

### Faucet Hole Options:

-None

### Product Specifications:



### Notes:

Drawings provided herein are meant to give the user an idea of the product and are not made to scale. The size in inches is rounded up to the nearest 1/16". Slight variances can often occur with porcelain and woodwork. Therefore, LACAVA will not be held responsible for any cutouts, countertops, or furniture made without the actual product or template from LACAVA. Plumbing specifications are only a guideline and may need to be altered based on the application.

LACAVA is committed to the highest level of customer service. Please feel free to contact us at 1-888-522-2827 (toll free) or by email at [info@lacava.com](mailto:info@lacava.com) for technical assistance or any general inquiries.