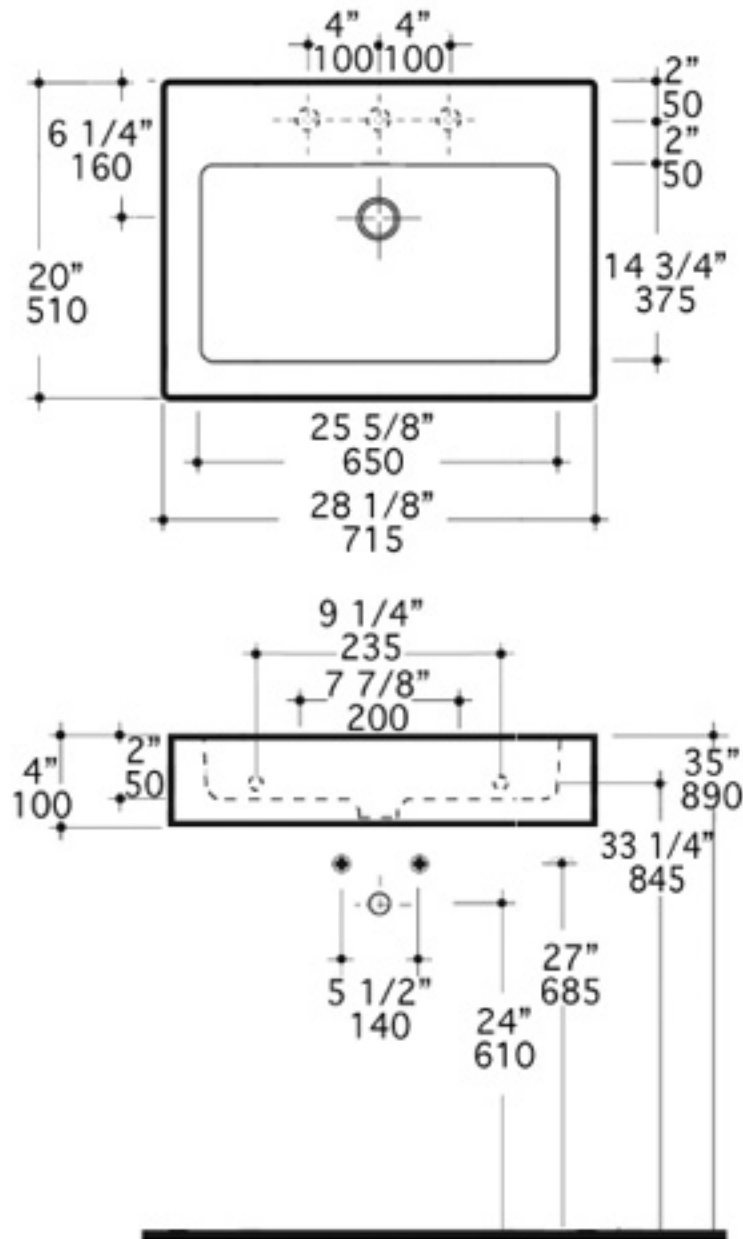


# LACAVA

www.lacava.com ..... info@lacava.com

AQUAPLANE # 5031



- Rectangle vessel washbasin without overflow.
- Can only be wall-mounted with use of 5031L stand.
- Requires oversized European drain (i.e. item # 7100-13).
- Faucet hole diameter is 1 5/8" (available with none, one, or three in 8" spread).

**Note:**

Drawings provided herein are meant to give the user an idea of the products and are not made to scale. Slight variances are often found in many porcelain sinks, so LACAVA will not be held responsible if any cutout or furniture is made without the actual product or a template from LACAVA.