

# LACAVA®

## Piazza Toilet Item #4258

### Features:

- Porcelain two-piece toilet with composite seat cover
- Floor-standing installation
- Dual flush system 1.6 gpf and 0.8 gpf
- Soft-closing seat cover and bolts are included
- Tank included
- Complies with the following standards/codes:
  - cUPC/IAPMO
  - ASME A112.19.2-2008/CSA B45.1-2008
  - ISO/IEC 17025



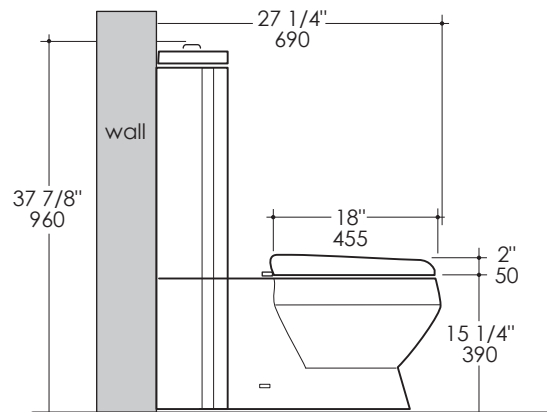
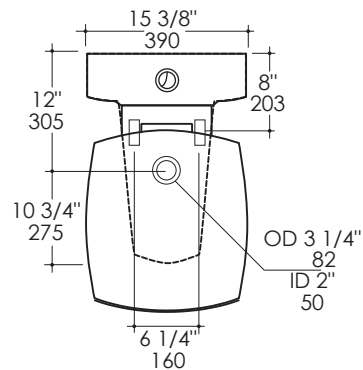
### Finish Options:

001 - White

### Parts:

4258CW - Replacement seat cover

### Product Specifications:



### Notes:

Drawings provided herein are meant to give the user an idea of the product and are not made to scale. The size in inches is rounded up to the nearest 1/16". Slight variances can often occur with porcelain and woodwork. Therefore, LACAVA will not be held responsible for any cutouts, countertops, or furniture made without the actual product or template from LACAVA. Plumbing specifications are only a guideline and may need to be altered based on the application.

LACAVA is committed to the highest level of customer service. Please feel free to contact us at 1-888-522-2827 (toll free) or by email at [info@lacava.com](mailto:info@lacava.com) for technical assistance or any general inquiries.