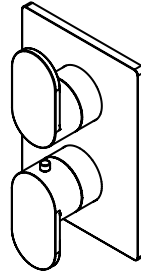


LACAVA



FLOU built-in thermostatic valve with 2-way diverter 41TH2.L.S

Specifications:

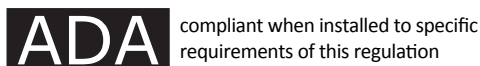
Installation:	built-in wall mount
Exterior Dimensions:	W: 5 1/8" H: 7 1/4"
Material:	solid brass construction with thermostatic cartridge and diverter ceramic cartridge with 2-way out
Water use:	7.1 GPM (43.5 PSI)
Finishes:	CR - polished chrome NI - brushed nickel 44 - matte black
Fittings included:	Rough-in # VTH2.1 and trim # 41TH2.L.S-A

Features:

- unibody thermostatic valve with 2-way diverter and OFF function
- oblong backplate
- lever handles
- 3/4" NPT water IN and 1/2" OUT connections (outlets B and C)
- anti-scald protection & temperature regulation
- water temperature set to 100°F
- 2-way diverter valve with 180° rotating angle
- screwdriver service stops
- separate check valves with filters for easy servicing
- finished wall must be flush with mudguard as marked
- 1 1/8" extension kit available

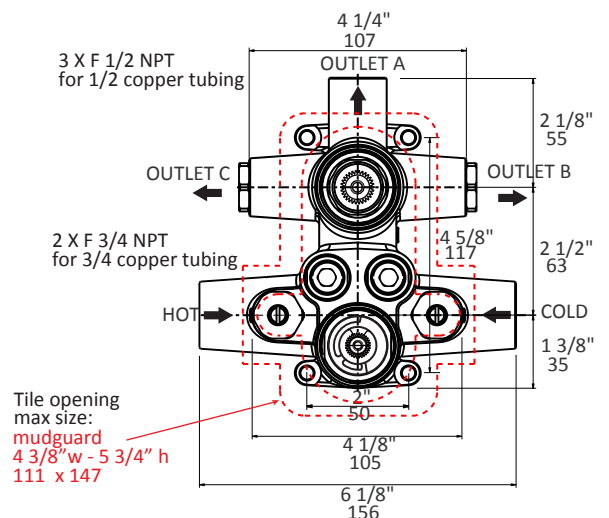
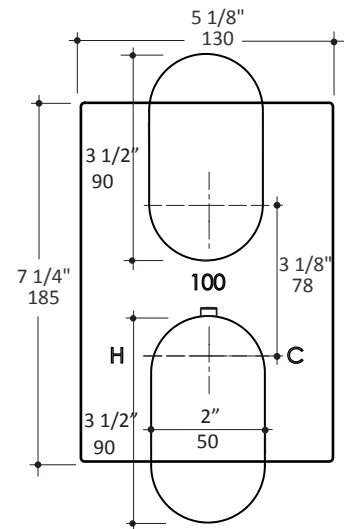
Codes + Standards:

- Meets and exceeds applicable national codes and standards
- CAL-Green compliant

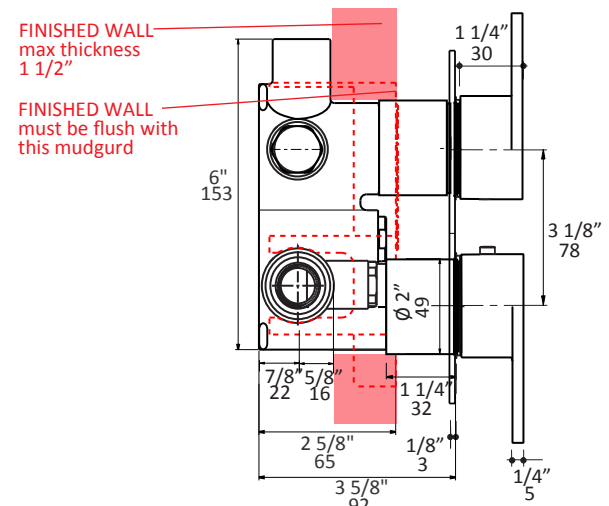


Recommended Items:

- Replacement parts:
 - VTH2.1 rough-in with 2-way diverter
 - 41TH2.L.S-A trim
 - R039 thermostatic cartridge
 - VD2-C diverter ceramic cartridge with 2-way out
 - VTH1.1-EX 1 1/8" extension kit



Tile opening max size:
mudguard
4 3/8" w - 5 3/4" h
111 x 147



LACAVA reserves the right to revise any dimension or information on this sheet without notice. Dimensions are nominal and may vary within an industry accepted tolerance of 1/4". Drawings provided herein are meant to give the user an idea of the product and are not made to scale. Location of plumbing is meant for reference, your specific application may vary.
Revised: 5/13/2022