

Light Vanity Item #4060

Features:

- Free standing wooden vanity base
- Two drawers and one door routed for finger pulls
- Concealed European hinges and soft closing drawer slides
- Textured door fronts as option (see below)
- Sink cutout only provided upon request
- Customizable (please request a quote)
- Handmade in USA
- Manufactured with low VOC finishes and wood from renewable forests

Recommended Accesories:

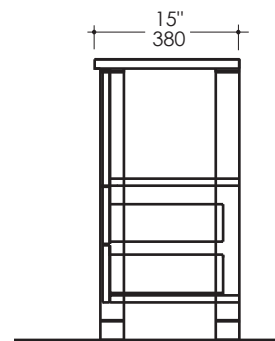
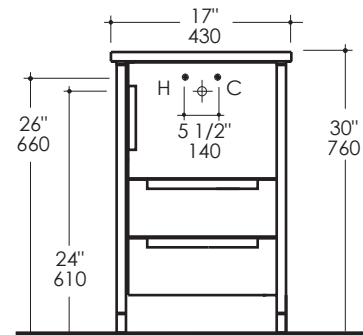
- Item #5102: Solid surface washbasin with overflow
- Uses European or standard American drains
- Available in Gloss White (-001G) or Matte White (-001M)
- Faucet hole options available: None, One, or Three in 8" spread
- Material is heat, stain, scratch, chemical, and impact resistant



Finish Options:

- 01 - Natural Maple
- 02 - Natural Cherry
- 03 - Mahogany
- 06 - Wenge
- 07 - Natural Walnut
- 08 - White (TEX1 - fine texture, TEX2 - medium texture)
- 15 - Natural Zebra
- 16 - Black (TEX1 - fine texture, TEX2 - medium texture)
- 17 - Caramel Bamboo
- 18 - Ebony
- 20 - Ash Gray
- 22 - Gray Zebra
- 23 - Gray Ebony
- 24 - Classic Walnut
- 25 - Honey Oak
- 26 - Chocolate Bamboo
- 45 - Sapele
- 52 - Silver Oak
- 85 - Gloss White
- 86 - Gloss Black

Product Specifications:



Notes:

Drawings provided herein are meant to give the user an idea of the product and are not made to scale. The size in inches is rounded up to the nearest 1/16". Slight variances can often occur with porcelain and woodwork. Therefore, LACAVA will not be held responsible for any cutouts, countertops, or furniture made without the actual product or template from LACAVA. Differences in color, grain, appearance and texture are inherent in all natural woodwork, and should be expected. Variances in these qualities are not deemed manufacturing defects, and will not be accepted as valid reasons to return or exchange any LACAVA woodwork. Plumbing specifications are only a guideline and may need to be altered based on the application.

Product specifications are not binding to the manufacturer and can be changed without notice at any time. Please refer to your shipment for product final sizes.

LACAVA is committed to the highest level of customer service. Please feel free to contact us at 1-888-522-2827 (toll free) or by email at info@lacava.com for technical assistance or any general inquiries.

Rev. 8-22-2012