

Luna Vanity Item #3502

Features:

- Free-standing wooden double vanity with brushed stainless steel legs
- Four doors, four small drawers, & three center drawers
- Soft close drawer slides & concealed European hinges
- Hardware available in Polished Chrome or Brushed Nickel finish
- Countertop & washbasins sold separately
- Customizable (please request a quote)
- Handmade in USA
- Manufactured with low VOC finishes and wood from renewable forests

Recommended Accessories:

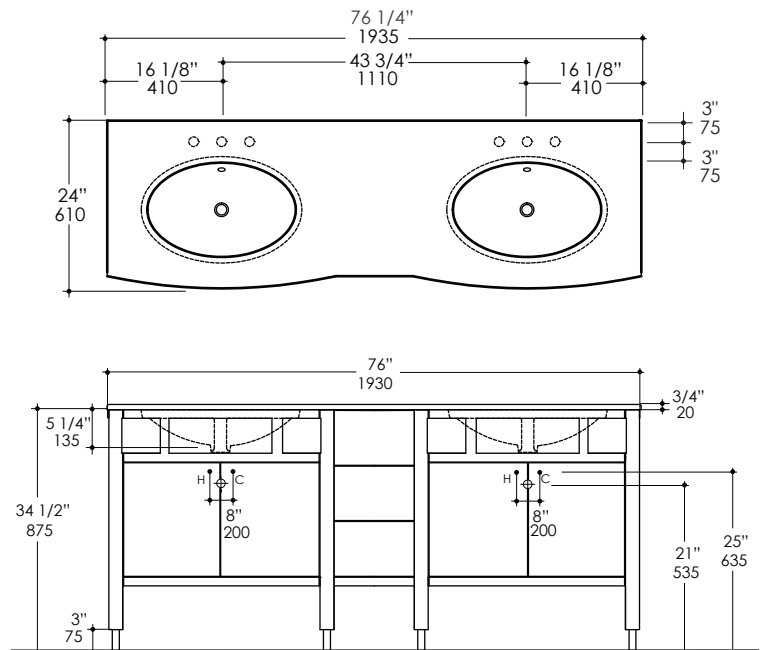
- Item #3502T: Stone countertop for Luna vanity #3502
 - Faucet hole options (per sink): None, One, or Three in 8" spread
 - Two cutouts for washbasin #33LA
- Item #33LA: Undermounted oval washbasin with overflow
 - Requires oversized European drain (i.e. 7100-12 or 7100-16OF)
 - Finish options: White (-001) or Biscuit (-002)



Finish Options:

- 01 - Natural Maple
- 02 - Natural Cherry
- 03 - Mahogany
- 06 - Wenge
- 07 - Natural Walnut
- 08 - White (TEX1 - fine texture)
- 15 - Natural Zebra
- 16 - Black (TEX1 - fine texture)
- 17 - Caramel Bamboo
- 18 - Ebony
- 20 - Ash Gray
- 22 - Gray Zebra
- 23 - Gray Ebony
- 24 - Classic Walnut
- 25 - Honey Oak
- 26 - Chocolate Bamboo
- 45 - Sapele
- 52 - Silver Oak
- 85 - Gloss White
- 86 - Gloss Black

Product Specifications:



Notes:

Drawings provided herein are meant to give the user an idea of the product and are not made to scale. The size in inches is rounded up to the nearest 1/16". Slight variances can often occur with porcelain and woodwork. Therefore, LACAVA will not be held responsible for any cutouts, countertops, or furniture made without the actual product or template from LACAVA. Differences in color, grain, appearance and texture are inherent in all natural woodwork, and should be expected. Variances in these qualities are not deemed manufacturing defects, and will not be accepted as valid reasons to return or exchange any LACAVA woodwork. Plumbing specifications are only a guideline and may need to be altered based on the application.

LACAVA is committed to the highest level of customer service. Please feel free to contact us at 1-888-522-2823 (toll free) or by email at info@lacava.com for technical assistance or any general inquiries.