

Tre Tub Filler Item #2895

Features:

- Floor-standing tub filler with single lever handle
- Two-way diverter and hand-held shower head with 59" flexible hose
- Brass construction with single ceramic disc cartridge
- Includes rough-in & trim
- Flow rate: 5.8 GPM Max at 60 PSI
- ADA Compliant



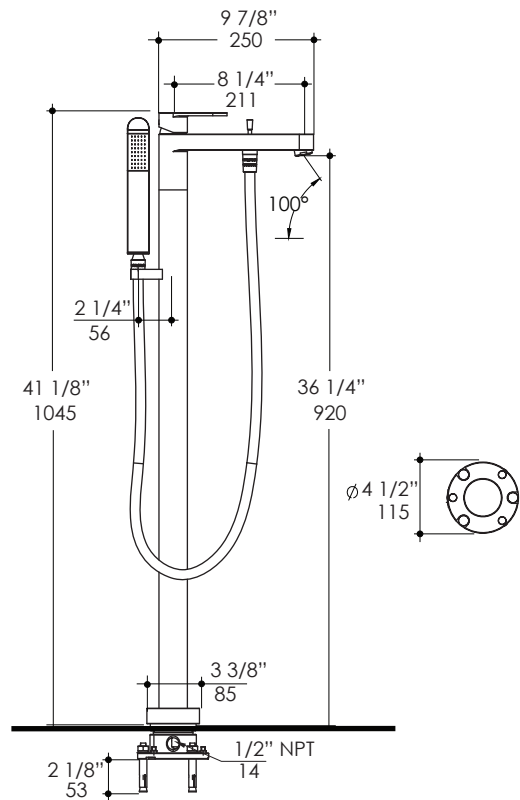
Finish Options:

CR - Polished Chrome

Parts:

- R063 - Replacement ceramic disc cartridge
- 2861 - Replacement hand-held shower head
- A00045 - Replacement 59" flexible shower hose

Product Specifications:



Notes:

Drawings provided herein are meant to give the user an idea of the product and are not made to scale. The size in inches is rounded up to the nearest 1/16\".

LACAVA is committed to the highest level of customer service. Please feel free to contact us at 1-888-522-2827 (toll free) or by email at info@lacava.com for technical assistance or any general inquiries.