

## Tre Faucet Item #2811

### Features:

- Single-hole deck-mounted lavatory faucet
- Brass construction with single ceramic disc cartridge
- Includes flexible supply lines and pop-up drain assembly
- Flow rate: 1 GPM pressure compensating aerator
- Meets and exceeds the following standards/codes:
  - NSF/ANSI 61-2011
  - ASME A112.18.1-2011/CSA B125.1-11
  - CMR 248 (Mass. Code of Approval)
  - Section 1417(d) of the Safe Drinking Water Act
- It can be installed to meet ADA compliance



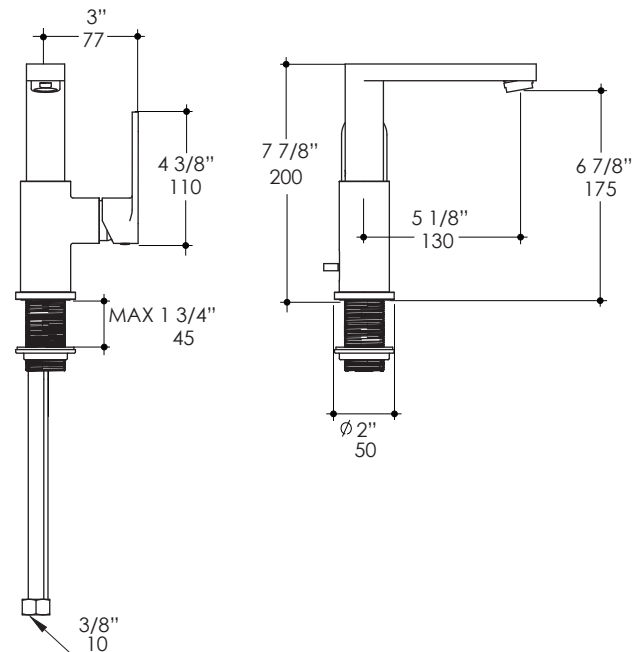
### Finish Options:

CR - Polished Chrome

### Parts:

- R036 - Replacement ceramic disc cartridge
- 2811-AERATOR - Replacement aerator cartridge

### Product Specifications:



### Notes:

Drawings provided herein are meant to give the user an idea of the product and are not made to scale. The size in inches is rounded up to the nearest 1/16".

LACAVA is committed to the highest level of customer service. Please feel free to contact us at 1-888-522-2823 (toll free) or by email at [info@lacava.com](mailto:info@lacava.com) for technical assistance or any general inquiries.

Rev. 02-16-2015