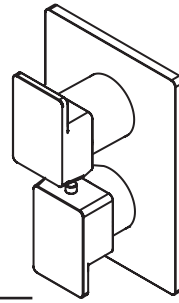


# LACAVA



## ELEGANZA built-in thermostatic valve with 3-way diverter 18TH3.L.S

### Specifications:

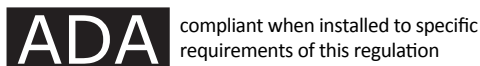
<b>Installation:</b>	built-in wall mount
<b>Exterior Dimensions:</b>	W: 5 1/8" H: 7 1/4"
<b>Material:</b>	solid brass construction with thermostatic cartridge and diverter ceramic cartridge with 3-way out
<b>Water use:</b>	7.1 GPM (43.5 PSI)
<b>Finishes:</b>	CR - polished chrome PN - polished nickel NI - brushed nickel BG - brushed gold 44 - matte black
<b>Fittings included:</b>	rough-in # VTH3.1 and trim # 18TH3.L.S-A

### Features:

- unibody thermostatic valve with 3-way diverter and OFF function
- rectangular backplate
- lever handles
- 3/4" NPT water IN and 1/2" NPT OUT connections (outlets A,B,C)
- anti-scald protection & temperature regulation
- water temperature set to 100°F
- 3-way diverter valve with 360° rotating angle
- screwdriver service stops
- separate check valves with filters for easy servicing
- finished wall must be flush with mudguard as marked
- 1 1/8" extension kit available

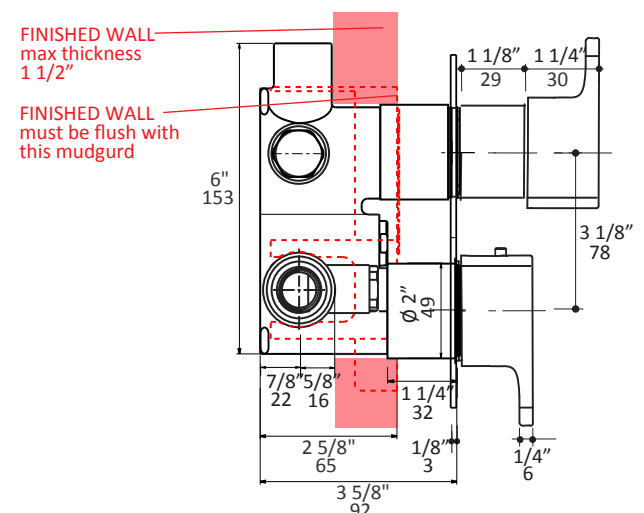
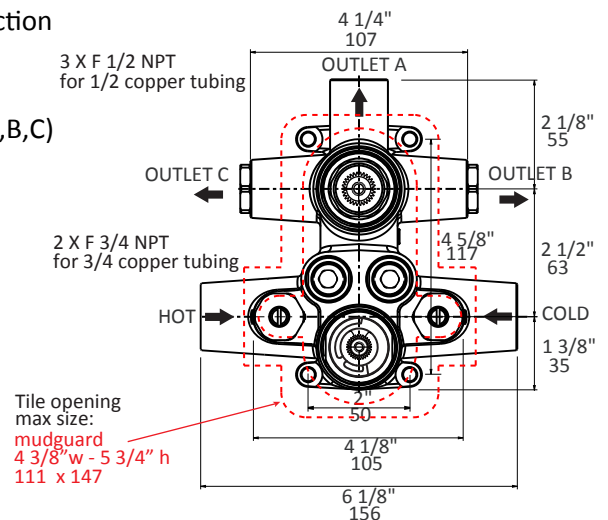
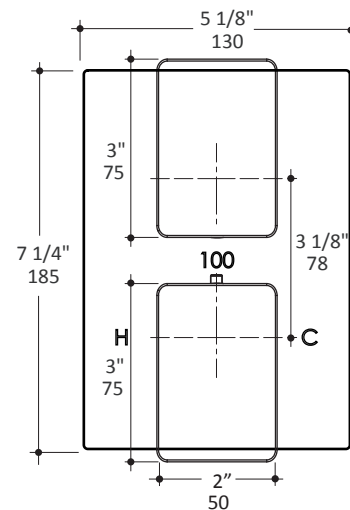
### Codes + Standards:

- Meets and exceeds applicable national codes and standards
- CAL-Green compliant



### Recommended Items:

- Replacement parts:
  - VTH3.1 rough-in with 3-way diverter
  - 18TH3.L.S-A trim
  - R039 thermostatic cartridge
  - VD3-C diverter ceramic cartridge with 3-way out
  - VTH3.1-EX 1 1/8" extension kit



LACAVA reserves the right to revise any dimension or information on this sheet without notice. Dimensions are nominal and may vary within an industry accepted tolerance of 1/4". Drawings provided herein are meant to give the user an idea of the product and are not made to scale. Location of plumbing is meant for reference, your specific application may vary.  
Revised: 5/18/2022