

Cigno Pressure Balancing Mixer Item #1550

Features:

- Built-in pressure balance valve with lever handle, two-way diverter, and backplate
- Brass construction with single ceramic disc cartridge
- Includes rough-in and trim
- Mixing valve cycles from cold to hot water
- Anti-scald protection & temperature regulation for flow rates as low as 2.4 GPM
- Screwdriver service stops
- 1/2" Female NPT inlets & outlet
- Flow rate: 4.7 GPM at 43.5 PSI
- Complies with the following standards/codes:
 - ADA
 - cUPC/IAPMO
 - ASME A112.18.1/CSA B125.1-2005
 - CMR 248 (Mass. Code of Approval)



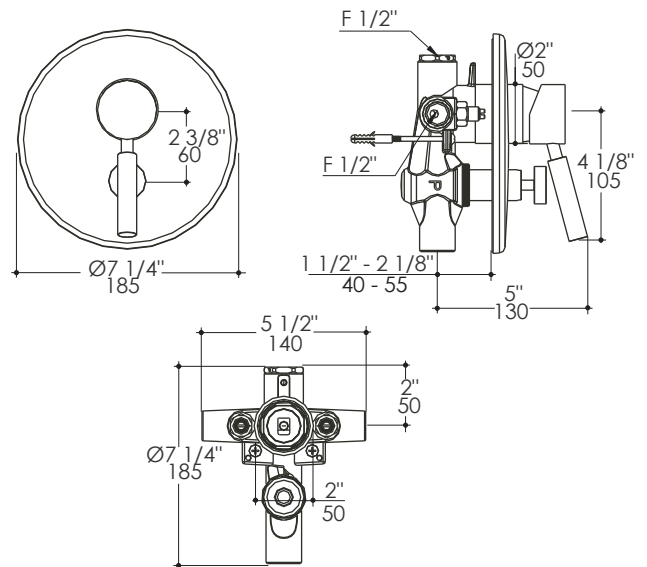
Finish Options:

CR - Polished Chrome

Parts:

- R037 - Replacement ceramic cartridge
- R1550EX - 1 3/16" extension kit

Product Specifications:



Notes:

Drawings provided herein are meant to give the user an idea of the product and are not made to scale. The size in inches is rounded up to the nearest 1/16".

LACAVA is committed to the highest level of customer service. Please feel free to contact us at 1-888-522-2827 (toll free) or by email at info@lacava.com for technical assistance or any general inquiries.