

## Kubista Tub Filler Item #1495

### Features:

- Floor-standing single-hole tub filler with single lever handle
- Includes two-way diverter and hand-held shower head with 59" flexible hose
- Brass construction with pressure balancing ceramic disc cartridge
- Includes rough-in and trim
- Flow rate: 4.8 GPM at 60 PSI
- ADA compliant



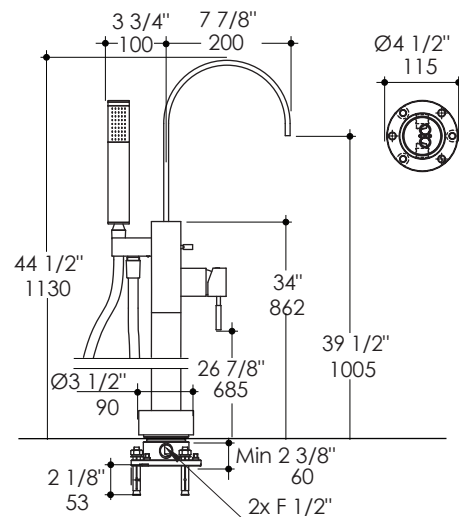
### Finish Options:

CR - Polished Chrome

### Parts:

- R067 - Replacement ceramic cartridge
- A00045 - 59" flexible shower hose

### Product Specifications:



### Notes:

Drawings provided herein are meant to give the user an idea of the product and are not made to scale. The size in inches is rounded up to the nearest 1/16\".

LACAVA is committed to the highest level of customer service. Please feel free to contact us at 1-888-522-2827 (toll free) or by email at [info@lacava.com](mailto:info@lacava.com) for technical assistance or any general inquiries.