



2243 S. Throop St.
Chicago, IL 60608
info@lacava.com
www.lacava.com

Owner's Manual

Important: Keep this manual for future technical assistance and/or replacement parts. Please read the instructions within the booklet carefully prior to installation. LACAVA recommends that this fixture be installed by a professional plumber and will not be held responsible for any damage caused by improper installation. It is the responsibility of the homeowner to ensure that this fixture complies with all local plumbing codes. Please see our Terms and Conditions found in this booklet for additional information. For technical assistance please contact: 888-522-2823 (toll free).

Please reference this number:

PS#:

Table of Contents

Page 2: Warranty
Page 2: Cleaning & Care Instructions
Page 3: Installation Instructions
Page 5: Product Specifications
Page 6: Terms and Conditions

Block Crystal Washbasin Item #4500G



Warranty

LACAVA warrants its products to be free from any defects in materials or workmanship, during normal residential or commercial use, including all hinges, drawer slides, cartridges, finishes, and general workmanship of the item. LACAVA warranties do not cover normal wear and tear, damages due to negligence, improper installation, alterations, improper repairs, improper use, improper maintenance, or damages due to uses of the product other than its intended and normal use. All warranties last for a period of one year from the date of purchase. If a defect is found under normal use, while under warranty, LACAVA will repair or replace the product (whichever cost is smaller to LACAVA) at its own expense (excluding shipping and installation charges). Under no circumstances is LACAVA responsible for installation/service fees or any dollar amount beyond the cost of the item. In addition, all LACAVA products are to be installed by experienced professionals properly licensed and bonded; otherwise, any LACAVA warranty and liability is to be considered waived. All warranties are non-transferable and proof of purchase is required for any warranty claim.

In accordance with the laws of limitation and exclusion state by state, and therefore provided the duly exceptions, LACAVA will not be held liable, in any event, for any special, indirect, incidental or consequential damages or losses (including but not limited to damages for loss of business, loss of profits, etc.) for breach of contract, tort (including negligence), product liability or otherwise, even if it has been advised of the possibility of such damages. LACAVA's liability on any claim (including negligence) will not in any case exceed the contract price paid by the original purchaser for the product claimed defective or unsuitable. It is the responsibility of the homeowner to ensure that all installed fixtures comply with all local plumbing codes.

Cleaning & Care Instructions

VITREOUS CHINA:

Vitreous china can be cleaned with a range of cleaning agents designated for bathroom maintenance: only strong acids and abrasive agents should be avoided in order to prevent discoloration and scratches in the glazed surface. Wash with detergent and warm water and rinse. Black marks in the glaze created by contact with metal elements can be removed with very fine steel wool. The marks should be dampened with water or glass cleaner and rubbed with steel wool until it is removed (this may take longer than a couple of minutes).

Lime deposits may be removed by a solution of vinegar and water. Bathroom fixtures should be disinfected weekly with a solution of chlorine bleach and water or a spray-on disinfectant or by using disinfectant cleaning foam. Rust stains can be removed by using commercial rust remover or by using a solution of 1 tablespoon oxalic acid crystals (poison), dissolved in ½ cup warm water. Apply to stain, allowing to stand a few minutes, and then rinse well.

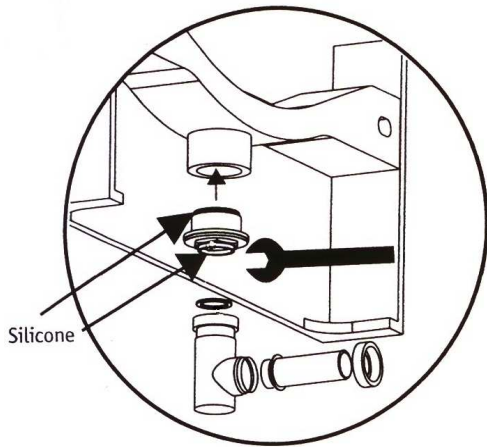
ACRYLIC & SOLID SURFACE:

Acrylic and solid surface is non-porous so liquids cannot penetrate it. Use water with dish soap or an ammonia-based cleanser (such as glass cleanser). Wipe away water stains with a damp cloth and sponge and dry with a towel. Occasionally wipe sinks and bowls with diluted household bleach (1/1 water/bleach solution) to disinfect. Surfaces exposed to acetone-based polish removers and paint removers should be promptly flushed with water. To remove stains, use Soft Scrub (or) diluted bleach and a sponge to rub in circular motion. If the area is dull in contrast with the surrounding surface, use a white polishing compound with a sponge to get a higher gloss. To remove cuts and scratches, sand with 400-grit (30 micron) or 600-grit (20 micron) sandpaper; buff with polishing pad at a low speed (1,500 - 2,000 rpm) polisher equipped with a wool pad; finish with wax.

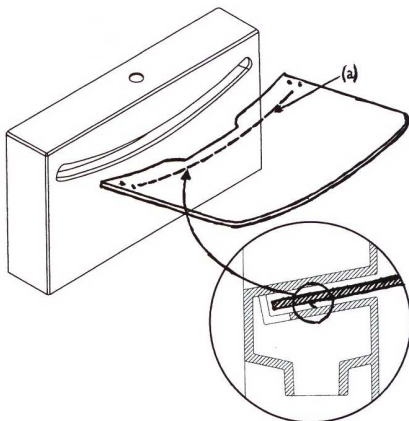
We would like to thank you for your purchase and are confident that you will be able to enjoy our products for many years to come!

Installation Instructions

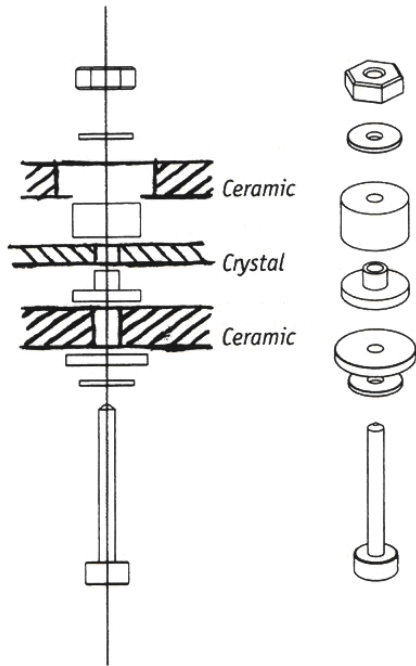
1. In order to provide proper support for wall-mounting a sink, it's usually necessary to remove a small section of drywall so you can access the wall studs and attach blocking between them.
2. Based on the sink's dimensions and mounting height (usually 30-33 inches above floor), decide where support will be needed.
3. Remove the drywall in that area and install 2-by-6 or 2-by-8 blocking between the wall studs. Then using 3 1/2" galvanized common nails, toenail the blocking to the studs and repair the drywall.
4. If the studs cannot be used then 3/4" plywood support behind the finished wall can also provide the necessary support.
5. Place the sink onto the desired position on the wall and mark the wall through the mounting holes on the sink. Then drill pilot holes for the mounting bolts, using a masonry bit if the wall is tile.
6. Screw the wood threaded part of the mounting bolts into the pilot holes so that the machine threaded portion is sticking out of the wall.



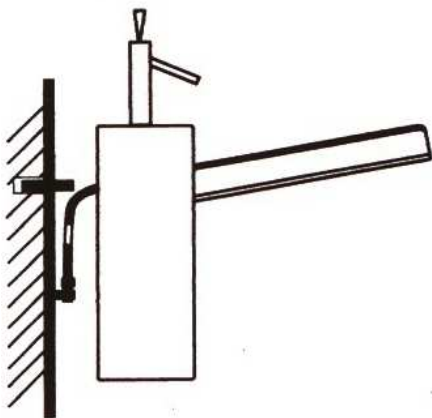
7. Drain and trap assemblies will come preinstalled by Lacava. Simply check that the parts are still sealed and positioned properly.



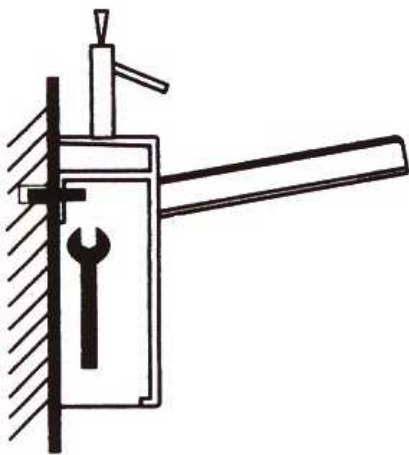
8. Place the protective strip along the bottom of the glass, between the two mounting holes towards the rear.
9. Slide the glass through its designated slot on the ceramic base so that it sits all the way back. Note: One person should hold the glass in place, while a second installer performs steps 10-12.



10. Install the glass mounting hardware in the order shown in the diagram to the left. From the bottom: metal washer, plastic washer, lower ceramic mounting hole, plastic washer with insert facing upwards through glass, glass mounting hole, thick plastic washer, upper ceramic mounting hole, metal washer, then locking nut. The mounting bolt should go through both layers of porcelain and the glass (three total mounting holes).
11. Tighten the locking nut so that the glass is fully secure. Note: Do not over tighten, as this may cause damage to the porcelain.
12. Repeat steps 10-11 for second mounting hole.

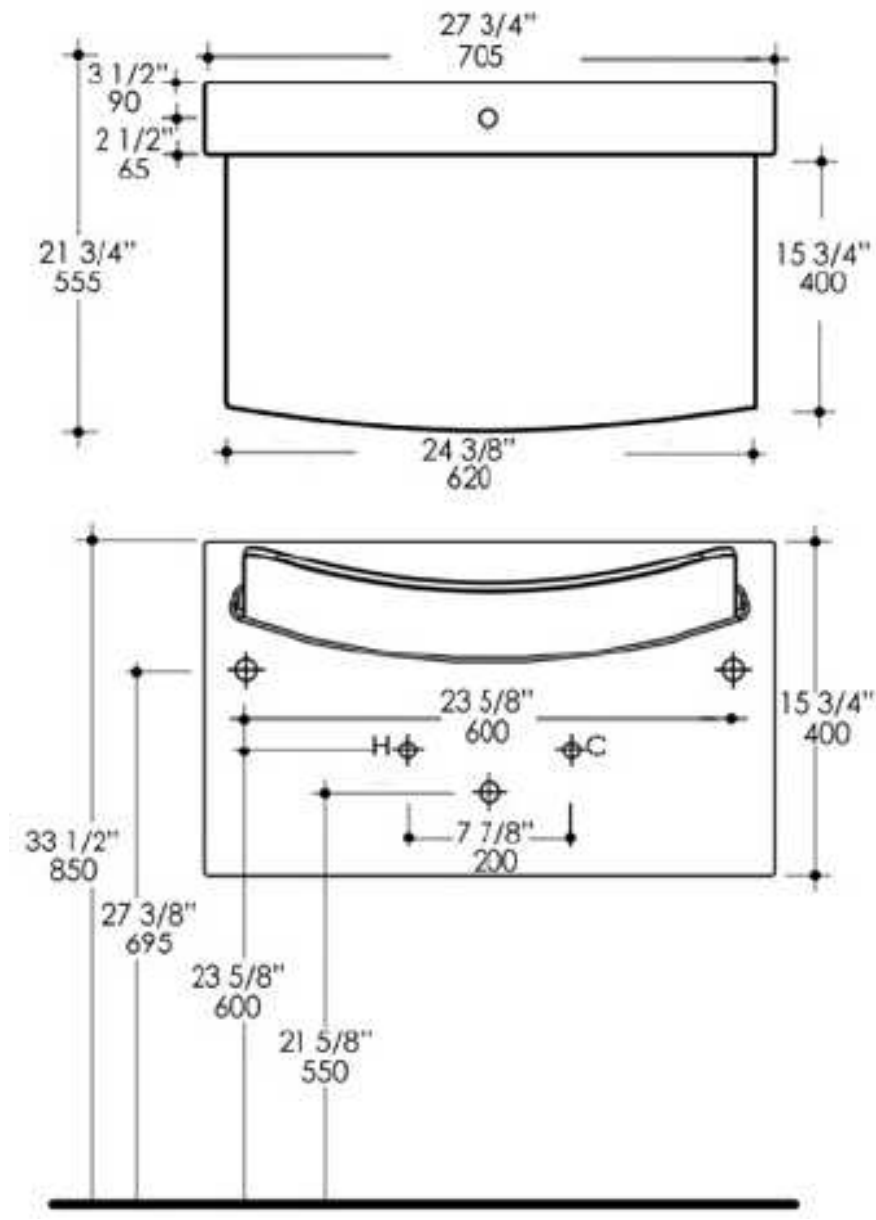


13. Install the faucet assembly onto the sink and connect the supply lines to the water supply.



14. Place the sink onto the mounting bolts, making sure that the sink is positioned properly and completely level.
15. Place the plastic sleeve onto the mounting bolt first in order to protect the porcelain. Then slide on the metal washer followed by the locking nut. Tighten the nut so that the sink is secure against the wall.
16. Again make sure that the sink is level and then repeat step 14 for the second mounting bolt.

Product Specifications



- Wall-mounted glass/porcelain washbasin without overflow.
- Available with single faucet hole only (diameter 1 5/8")
- Drain/trap assembly and mounting hardware is included.

Note:

Drawings provided herein are meant to give the user an idea of the product and are not made to scale. The sizes in inches are rounded up to the nearest 1/16.

Terms and Conditions

UNIQUENESS

Many LACAVA products are made of natural stone, woods, or metals. Because of the natural variations, and/or handmade nature of the products, slight differences are expected and are not deemed manufacturing defects.

SHIPPING POLICIES

Once the merchandise is released to and accepted by the carrier, LACAVA's responsibility ends. LACAVA LLC is not responsible for damages occurring in transit. After the merchandise is delivered and the shipping document is signed, it becomes the property of the purchaser. We constantly improve the packaging as new technologies become available, but damages in transit may still occur. Therefore, we recommend that all packages be inspected by the purchaser in the carrier's presence upon delivery. In case of damages, either visible or concealed, the purchaser is responsible for filing any damage claim against the carrier. In this regretful circumstance, we suggest utter diligence to have the carrier's agent explain the steps to submit a valid claim against the carrier, as each carrier has different claim policies. Please document everything in writing, preferably on the shipping documents and have also the carrier's agent sign along. If you wish that Lacava assists you in the claim process, please fax or email us copies of the shipping and claim documents at your earliest convenience. In the case of missing items, which could occur due to our mistake or a theft during transit, please follow same procedures as for shipping damages above, with the only difference that the claim concerns something completely missing, rather than damaged. Please take note of any visible tampering with the packaging in the presence of the carrier's agent before accepting the delivery with your signature. In case of missing items, you must also inform LACAVA and send us all related documents within 24 hours from the delivery date. We will open an internal investigation and check the inventory count to determine whether it was our error. If we verify it was our mistake, we will promptly ship the missing item(s) to the purchaser by standard ground at our cost.

RETURN POLICIES

If the product is not satisfactory for any reason different from defects, it can be returned to LACAVA LLC up to 30 (thirty) days from the shipping date after obtaining a Return Goods Authorization (RGA) valid for 60 (sixty) days. If the product is not returned to LACAVA within that timeframe, the RGA will be voided and no further RGAs will be issued for the product. The merchandise must be in salable condition, in its original packaging, and packed safely with the RGA number clearly marked on the outside packaging. To obtain an RGA number, please fax or email the request with a description of the reason for return. The merchandise must be in its original packaging and packed safely in accordance with the carrier's packing requirements, with the RGA number clearly marked on the outside packaging. LACAVA reserves the right not to issue any credit, if an approved RGA number has not been obtained. A restocking fee of 25 percent and applicable shipping charges to the customer and back will be deducted from the credit amount. Credit (excluding shipping and handling charges) will be given only for returns of intact products up to 30 days from the shipping date. After 30 days from the shipping date, no returns will be accepted. All returned merchandise is at the purchaser's risk and cost. Special order and custom made items are not returnable. Products must be inspected prior to installation and installation of the product means its acceptance. Product, once installed, cannot be returned. Damages occurring in installation are not considered defects and are not subject to return or refund. LACAVA will replace any defective item for free only after the non-conforming product is safely returned to LACAVA's warehouse safely in accordance with the carrier's packing requirements, and in its original packaging, within 30 days from the shipping date. If the product is not found to be defective and is damaged in any way, there may be a charge for any replacement. In any case, LACAVA does not cover installation costs.

